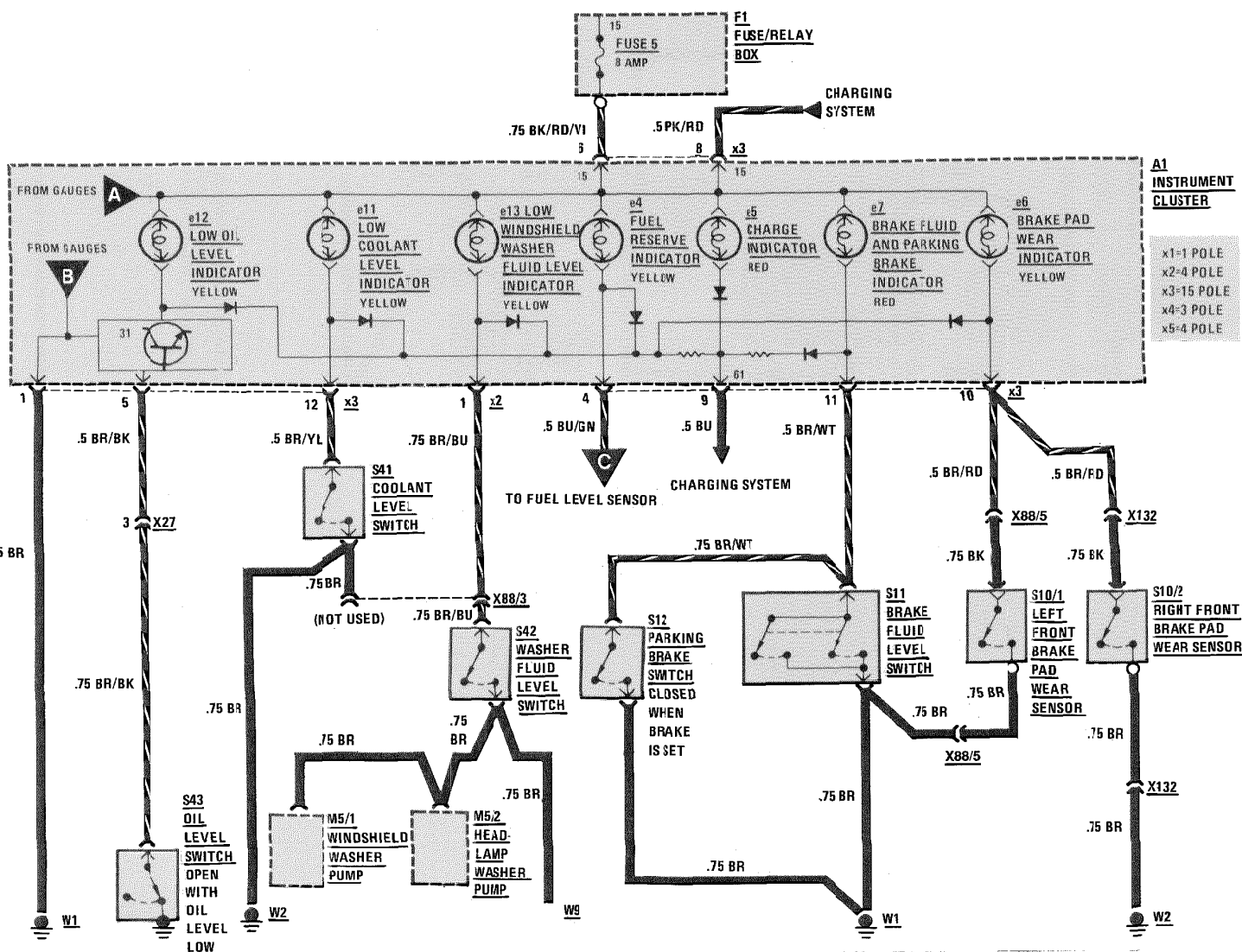


WARNING INDICATORS

MY 1987
DIESEL

136/4

HOT IN RUN OR START



A1 INSTRUMENT CLUSTER

- x1-1 POLE
- x2-4 POLE
- x3-15 POLE
- x4-3 POLE
- x5-4 POLE

124.133/193

Supplement 14

REVISIONS: